

## Smart Jumbo Twister 迈特大卷装倍捻机

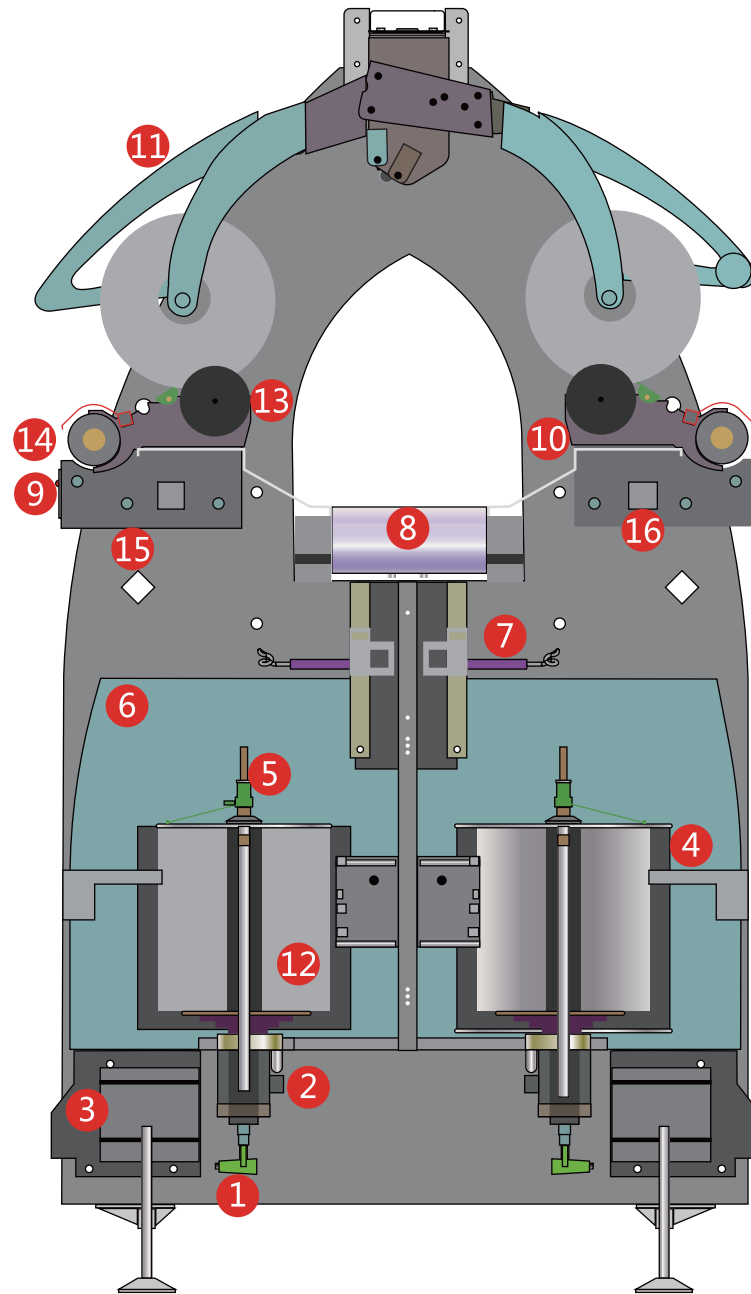
**MAGN**  
苏州英迈杰机械有限公司

地址：江苏省苏州工业园区唯文路7号A幢      Add: Block A, No.7 Weiwen Road, Suzhou Industrial park, Suzhou, Jiangsu, China  
电话：0512-67066492      Tel: 0512-67066492  
传真：0512-67066493      Fax: 0512-67066493  
网址：www.imaginsz.com      Http: //www. imaginsz. com

■ 本样本仅作参考，不作为技术验收依据。  
■ 为提高产品质量，本公司保留更改规格之权力，恕不另行通知。  
■ We reserve the right to modify the characteristics of the machines described herein without prior notice  
■ The data given in this brochure are not intended as a guarantee.

苏州英迈杰机械有限公司  
Suzhou Imagin Machinery Co.,Ltd.

## 电锭倍捻机截面图 Machine cross section



- ① 穿线阀 Threading valve
- ② 伺服锭子 Servo spindle
- ③ 伺服驱动器 Servo driver
- ④ 气圈罩 Balloon limiter
- ⑤ 多级张力器 Multi-tension device
- ⑥ 隔纱板 Separator
- ⑦ 导纱钩 Yarn guide
- ⑧ 输送带 Conveyor
- ⑨ 单锭控制板 Single spindle control board
- ⑩ 电磁离合器 Electromagnetic clutch
- ⑪ 摇架 Cradle
- ⑫ 锭罐 Spindle pot
- ⑬ 摩擦辊 Friction roller
- ⑭ 超喂罗拉 Pre-take-up roller
- ⑮ 导纱罗拉 Deflection roller
- ⑯ 断纱传感器 Sensor

## 电锭倍捻机 E – Spindle Twister

### 01 Save 节能

- ▲ 伺服锭子  
Servo spindle
- ▲ 智能驱动模块  
Intelligent driving unit
- ▲ 气圈罩  
Balloon limiter

### 02 Maintenance 简易的维护

- ▲ 可靠性强  
Reliability
- ▲ 装机时间短  
Short installation time

### 03 Automation 自动化

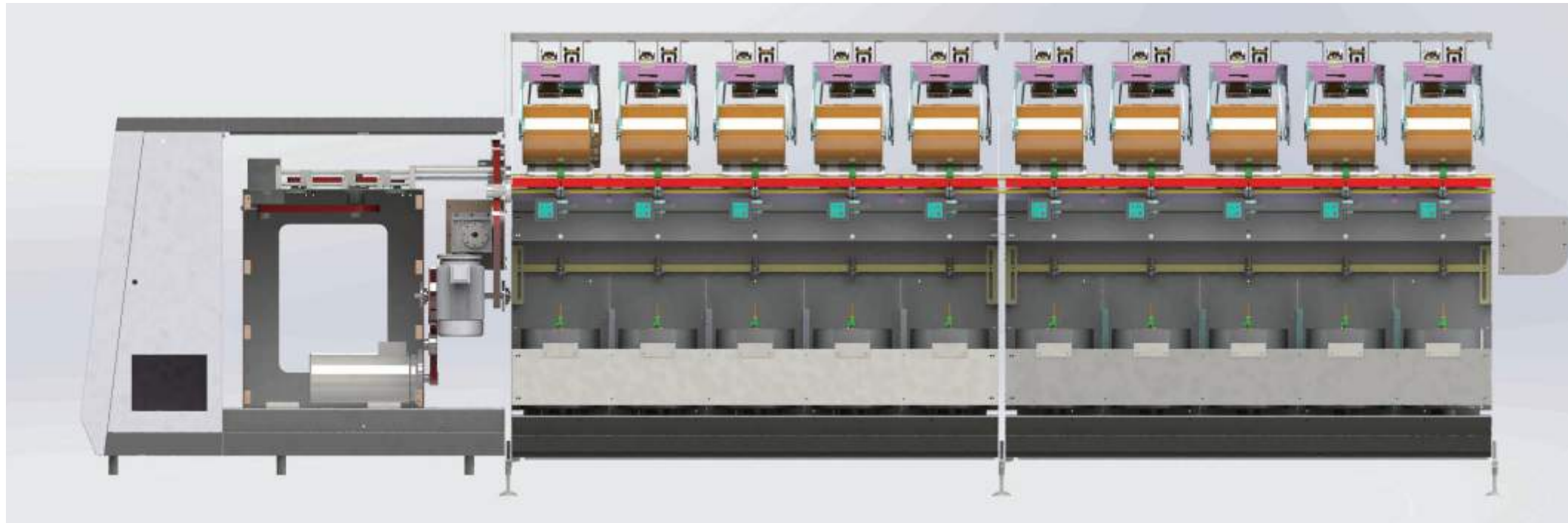
- ▲ 单锭独立启停  
Single spindle control
- ▲ 一键工艺设定  
Just set all parameters in touch screen
- ▲ 输送带落纱  
Conveyor belt doffing
- ▲ 气圈高度集中调节  
Central adjustment for balloon height
- ▲ 灵活的筒子成型  
Flexible package formation

### 04 Technology 高技术

- ▲ 新型的伺服驱动系统  
New driving concept
- ▲ 断电保护功能  
Power failure system
- ▲ 纱线实时检测功能  
Yarn real-time detection



## 传动方式 Transmission



## 伺服驱动器

### 驱动单元

- ▲ 锭子伺服电机：驱动锭子
- ▲ 小电机：驱动卷绕
- ▲ 横动伺服电机：驱动横动
- ▲ 输送带电机：带动输送带

PLC将这些电机以设定的速比运行，确保机器在运行和启停阶段的捻度一致，单锭控制面板通过控制电磁离合器和伺服驱动器，确保单锭启停状态的捻度不变。断电的情况下，在PLC，电磁离合器，单锭伺服驱动器的同步作用下，有序地停止确保捻度一致。输送带结构，在落纱时可以极大的提高工作效率，减轻工人劳动强度，在大筒纱上尤为明显。

## Servo Technology

### Driving unit

- ▲ Spindle servo motor: drive spindle
- ▲ Slave motor: take-up-rollers
- ▲ Traverse servo motor: drive traverse
- ▲ Transport with motor: Driving conveyor belt

PLC will run these motors at the set speed ratio to ensure the consistency of the machine during the running and start-stop phases. The single spindle control panel ensures that the twist of the single spindle start and stop state is constant by controlling the electromagnetic clutch and the servo drive. Power outage Under the synchronous action of PLC, electromagnetic clutch and single spindle servo drive, the orderly stop ensures the uniformity of the twist. conveyor can greatly improve the work efficiency and reduce the labor intensity of the workers during the doffing, especially on the large packages.



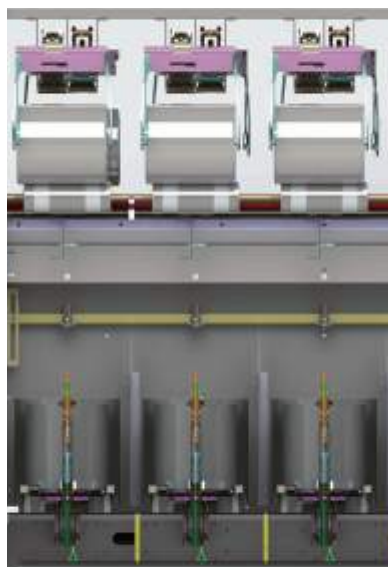
## 伺服锭子 Servo spindle



- ▲采用e-save结构锭子，极大的节约能源
- ▲锭速可达6000r/min，极大的提高了大卷装加捻效率
- ▲单锭锭速监控功能，确保了更好的加捻质量
- ▲空心锭子设计，气动穿线，简单快捷
- ▲适合所有类型的纱线加工
- ▲单锭单控，灵活性强
- ▲纱线通道均经过特殊处理，有效的保护纱线
- ▲锭子型号包括：SIM-05/SIM-06

- ▲Using e-save structure spindles, saving energy
- ▲Spindle speed up to 6000r/min, greatly improving the efficiency of large package
- ▲Single spindle speed monitoring function ensures better twisting quality

## 伺服驱动器 Servo Technology



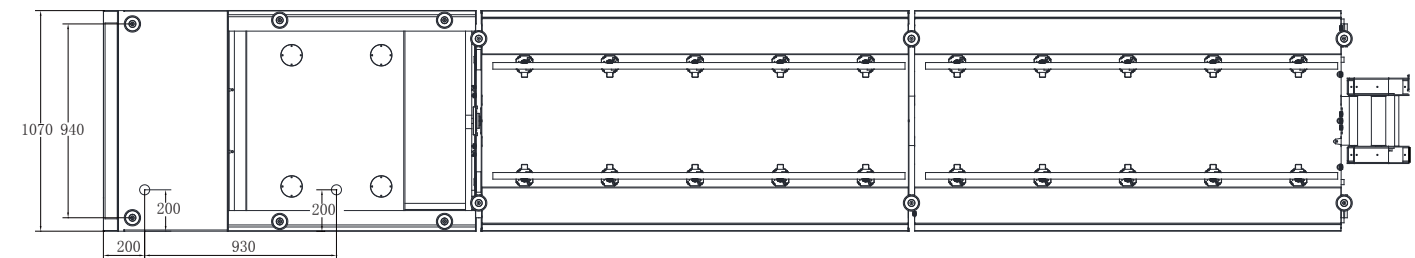
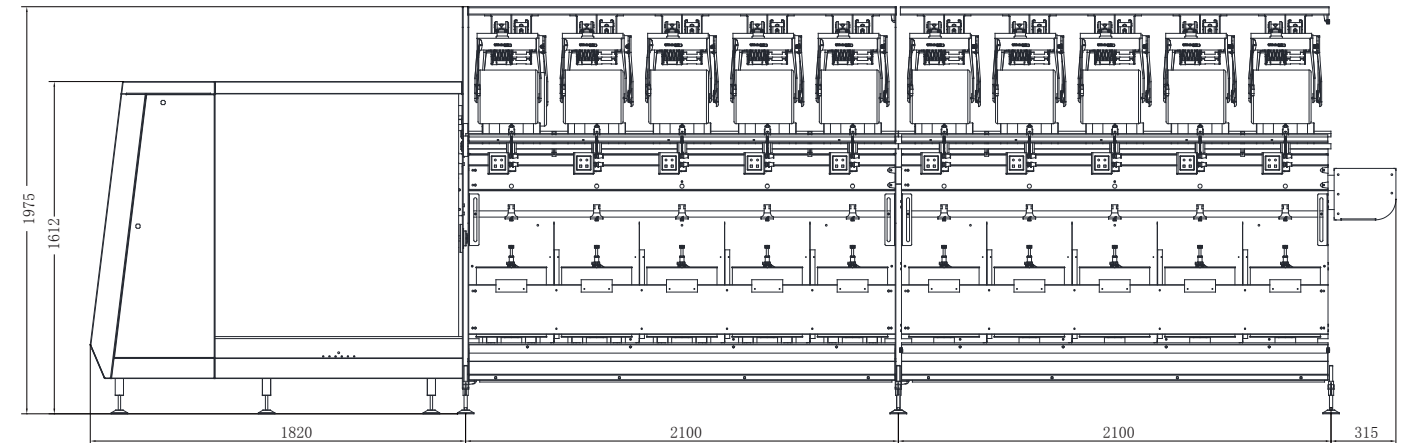
伺服锭子和伺服卷取可以实现：

- ▲卷取速度可达120m/min。
- ▲一键设定参数，单锭捻度设置。
- ▲电子防叠，电子松边。
- ▲传动和卷取完全隔开，免污染。

Servo spindles and servo coiling can be achieved:

- ▲The winding speed can reach 120m/min.
- ▲One-click setting parameters, single-turn temperature setting.
- ▲Electronic anti-stack, electronic loose edge.
- ▲The transmission and winding are completely separated to avoid pollution.

## 安装图 Layout



SIM-04/SIM-05/SIM-06

锭数 Quantity	12锭/Sp	24锭/Sp	36锭/Sp	48锭/Sp	60锭/Sp	72锭/Sp	84锭/Sp	96锭/Sp	108锭/Sp	120锭/Sp	132锭/Sp	144锭/Sp	锭距 345mm Distance per spindle 345mm
	10锭/Sp	20锭/Sp	30锭/Sp	40锭/Sp	50锭/Sp	60锭/Sp	70锭/Sp	80锭/Sp	90锭/Sp	100锭/Sp	110锭/Sp	120锭/Sp	锭距 414mm Distance per spindle 414mm
	8锭/Sp	16锭/Sp	24锭/Sp	32锭/Sp	40锭/Sp	48锭/Sp	46锭/Sp	64锭/Sp	72锭/Sp	80锭/Sp	88锭/Sp	96锭/Sp	锭距 518mm Distance per spindle 518mm
长度 Length (mm)	4235	6335	8435	10535	12635	14735	16835	18935	21035	23135	25235	27335	其他配置要求，敬请咨询我们服务或销售人员。 Special configuration requirements, please consult with our service or sales.
宽度 Width (mm)	1070												
高度 Heigh (mm)	1975												
机器节数 Numbers of sectims	1	2	3	4	5	6	7	8	9	10	11	12	